

**Hour counters, 10 - 80 V DC, with minute indicator,
ø 52 mm, ø 60 mm**

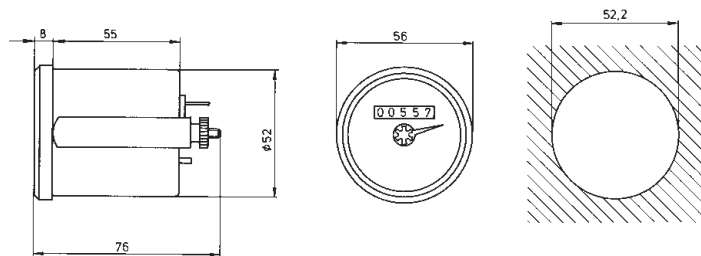
These quartz-operated hour counters for the utility vehicle industry have stood the test of decades. They have an elevated design, are robust, with water-proof front-face and available for the 52 or 60 mm panel cutout. The time is rapide and easily readable with the circulating minute hand.

Housing ø 52 mm with chromed 3-edge-frontal ring



type 557, 558

DC	terminal connection	plug connection 6,3 x 0,8 mm	3-edge-frontal ring chromed
557		■	■
558	■		■

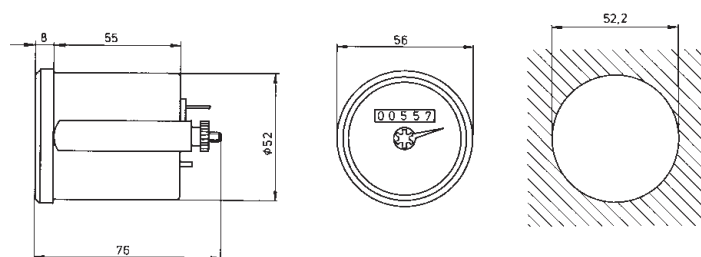


Housing ø 52 mm with black-chromed 3-edge-frontal ring



type 557.2, 558.2

DC	terminal connection	plug connection 6,3 x 0,8 mm	3-edge-frontal ring black chromed
557.2		■	■
558.2	■		■

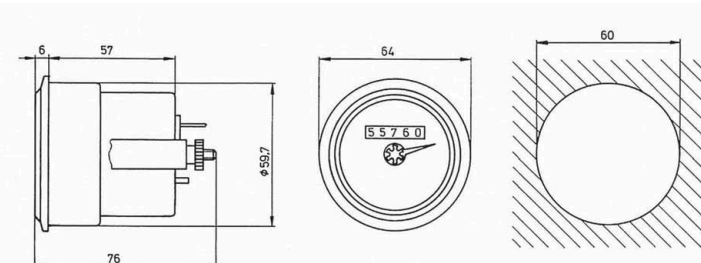


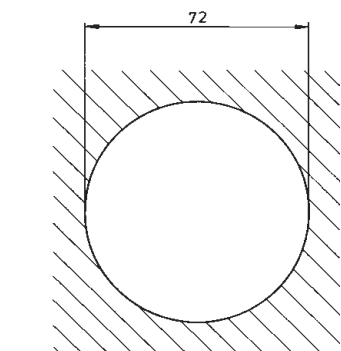
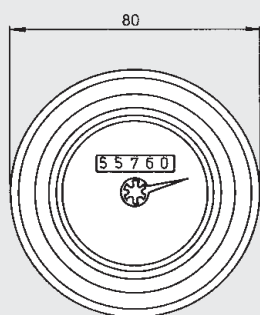
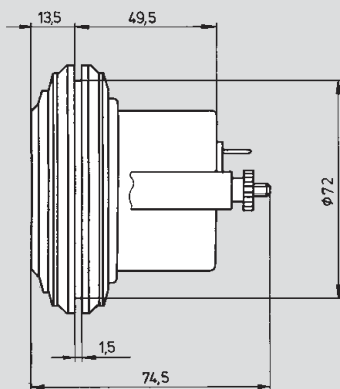
**Housing ø 52 mm with detachable adapter ring for reaching housing
of ø 60 mm with chromed or black-chromed 3-edge-frontal ring**



type 557/60, 558/60

DC	terminal connection	plug connection 6,3 x 0,8 mm	3-edge-frontal ring chromed	3-edge-frontal ring black chromed
557/60		■	■	
557/60.2		■		■
558/60	■		■	
558/60.2	■			■





type 557/60.1 ... 2*
type 558/60.1 ... 2*
*with damping rubber

Further specifications for your order selection

The standard type is suited for applications with a voltage range of 10 - 80 V DC. Further they can be used for different applications, for example with damping rubber ring for extreme vibrations.

Housing Ø 52 mm with detachable adapter ring (=Ø 60 mm) and damping rubber ring (= Ø 72 mm)

DC	terminal connection	plug connection 6,3 x 0,8 mm	rubber ring for damping Ø 72 mm	3-edge frontal ring chromed	3-edge frontal ring black chromed
557/60.1		■	■	■	
557/60.1.2		■	■		■
558/60.1	■		■	■	
558/60.1.2	■		■		■

Accessories and special types at additional cost:

- housing Ø 60 mm (without adapter ring), order code .../600
- rubber seal ring available for housing of Ø 52 mm or Ø 60 mm
- metal fastening bolt for extreme applications, order code .../894

Technical specifications:

	DC
reset:	no
counting range:	99999 h and 0 - 60 minutes
digits char. height:	2 x 4 mm, white on black
voltage:	10 - 80 V DC (1,4 - 15 mA)
special voltages	2 - 20 V DC (1,5 - 27 mA)
(at additional cost):	80 - 220 V DC (1,4 - 4,5 mA)
protection class (DIN 40050):	housing: IP 65 (front) terminals: IP 00
ambient temperature:	-40 °C to +80 °C
fixing:	metal bolt
approval:	CE
operation indication:	yes
connection:	short circuit and reverse battery protected
vibration resistance:	tested on 3 levels at 45 Hz, amplitude ± 0,5 mm each level, electronic and plastic version = little specific weight
time divergence:	only 0,01 % in 24 h: compared to the electromechanical counters no after running differences arise on the indication
weight:	approx. 110 g

**Hour counters, 10 - 80 V DC,
ø 52 mm, ø 60 mm**

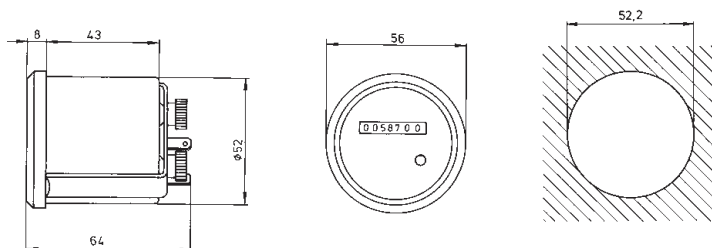
These instruments meet the high-level requirements for hour counters in construction machines, fork lift trucks or other vehicles. The quartz-controlled electronic and the known BAUSER housing technology offer a basis for optimum value for money. In large quantities it is possible to print your logo on the counter.

Housing ø 52 mm – with 3-edge-plastic frontal ring



type 587.10.2, 588.10.2

DC	terminal connection	plug connection 6,3 x 0,8 mm	3-edge-plastic ring black
587.10.2		■	■
588.10.2	■		■

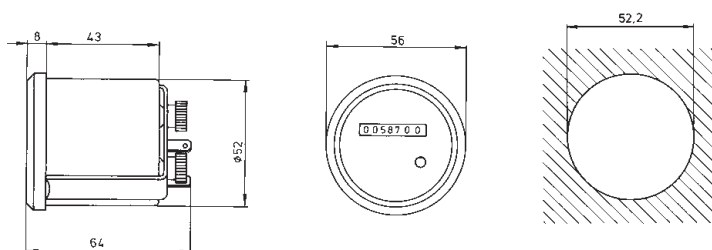


Housing ø 52 mm with chromed or black-chromed 3-edge-frontal ring



type 587.2, 588.2

DC	terminal connection	plug connection 6,3 x 0,8 mm	3-edge-frontal ring chromed	3-edge-frontal ring black chromed
587		■	■	
588	■		■	
587.2		■		■
588.2	■			■

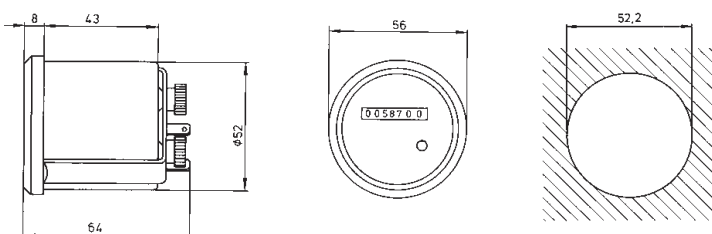


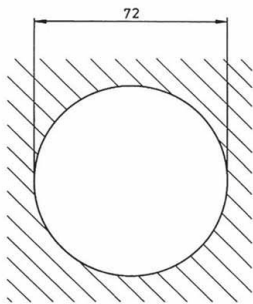
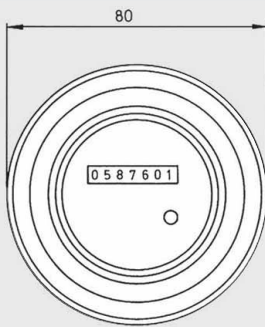
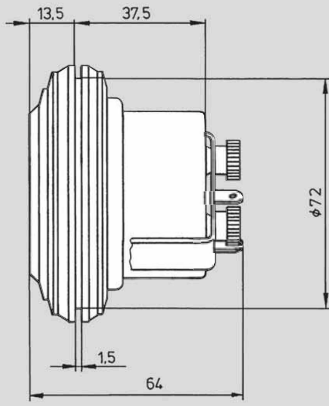
**Housing ø 52 mm with detachable adapter ring for reaching housing of ø 60 mm
with chromed or black-chromed 3-edge-frontal ring**



type 587/60, 588/60

DC	terminal connection	plug connection 6,3 x 0,8 mm	3-edge-frontal ring chromed	3-edge-frontal ring black chromed
587/60		■	■	
587/60.2		■		■
588/60	■		■	
588/60.2	■			■





type 587/60.1 ... 2*
type 588/60.1 ... 2*
*with damping rubber

Further specifications for your order selection

BAUSER technology has convinced already a large number of known OEM customers world-wide. The quartz-controlled hour counters are suited for cutout of Ø 52 or 60 mm and offer a protection class of IP 65 (front).

Housing Ø 52 mm with detachable adapter ring (= Ø 60 mm) and damping rubber ring (Ø 72 mm)

DC	terminal connection	plug connection 6,3 x 0,8 mm	rubber ring for damping Ø 72 mm	3-edge frontal ring chromed	3-edge frontal ring black chromed
587/60.1		■	■	■	
587/60.1.2		■	■		■
588/60.1	■		■	■	
588/60.1.2	■		■		■

Accessories and special types at additional cost:

- housing Ø 60 mm (without adapter ring), order code .../600
- rubber seal ring for housing of Ø 52 or Ø 60 mm
- metal fastening bolt for extreme applications, order code .../894

Technical specifications:

	DC
reset:	no
counting range:	99999,99 h
digits char. height:	1,5 x 3,5 mm, white on black, decimals black on white
voltage:	10 - 80 V DC (1,4 - 15 mA)
special voltages (at additional cost):	2 - 20 V DC (0,5 - 27 mA) 80 - 220 V DC (1,5 - 4,5 mA)
protection class (DIN 40050):	housing: IP 65 (front) terminals: IP 00
ambient temperature:	-40 °C to +80 °C
fixing:	metal bolt
approval:	CE
operation indication:	yes
connection:	short circuit and reverse battery protected
vibration resistance:	tested on 3 levels at 45 Hz, amplitude ± 0,5 mm each level, electronic and plastic version with little specific weight
time divergence:	only 0,01 % in 24 h; compared to the electromechanical counters no after-running differences arise on the indication
weight:	approx. 100 g