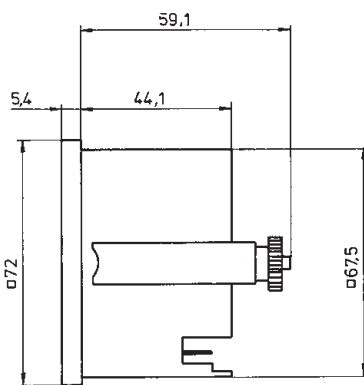


Electromechanical hour counters



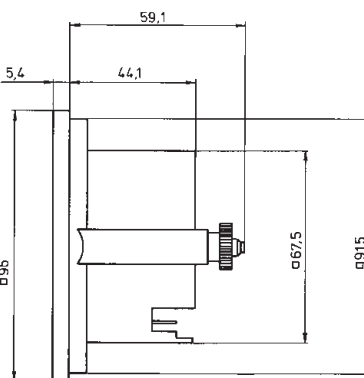
type R5 72, R5 77



drawing 72 x 72



type R5 72 N



drawing 96 x 96

Minutes and hour counters, for AC or DC, with or without reset, 72 x 72 mm, 92 x 92 mm

Hour counters with DIN dimensions 72 and 96 mm □, suitable for all standard measuring instruments. For AC or DC, for recording of hours or minutes, with or without reset.

Front frame 72 x 72 mm or 96 x 96 mm

AC	DC	reset		front frame mm	cutout mm	counting range
		with	without			
R5 72	R5 77		■	72 x 72	68 x 68	99999,99 h
R5 72 N		■		72 x 72	68 x 68	9999,99 h
R5 72 N/M		■		72 x 72	68 x 68	99999,9 min.
R5 96	R5 97		■	96 x 96	92 x 92	99999,99 h
R5 96 N		■		96 x 96	92 x 92	9999,99 h
R5 96 N/M		■		96 x 96	92 x 92	99999,9 min.

Accessories and special types at additional cost:

- terminal cover type R5 protection against accidental contact
- detachable key for reset: order code i.e.: R5 72 N/S
- *DC hour counter with reset

Technical specifications:

	AC	DC
reset:	dependent on type	no
digits:	2 x 4 mm, white on black, decimals black on white	2 x 4 mm, white on black, decimals black on white
voltages:	115 or 230 V AC	10 - 50 V DC
special voltages (at additional cost):	12, 24, 42 and 400 V AC	36, 80, 110 V DC
voltage tolerance:	±10 %	-
frequency:	50 or 60 Hz	-
current consumption:	approx. 2 VA	7,5 - 30 mA
protection class DIN 40050:	housing with reset button: IP 52 housing without reset button: IP 41 terminals: IP 00	housing: IP 52 terminals: IP 00
ambient temperature:	-10 °C to +60 °C	-10 °C to +50 °C
fixing:	metal bracket	metal bracket
connection:	terminal or plug (0,8 x 6,3 mm)	terminal or plug (0,8 x 6,3 mm)
approval:	CE, (UL at additional cost)	CE
protect. ag. accidental contact (at add. cost):	terminal cover type R5 VBG-4-requirements	terminal cover type R5 VBG-4-requirements
operation indication:	yes	yes
short circuit and rev. battery protected:	-	yes
weight:	approx. 115 or 140 g	approx. 120 or 145 g