

Electromechanical hour counters



type 631, 631.1, 633, 633.1, 629, 629.1, 637, 637.1



type 632, 632.1, 634, 634.1, 630, 630.1, 638, 638.1



type 631.2, 631.3, 633.2, 633.3, 629.2, 629.3, 637.2, 637.3



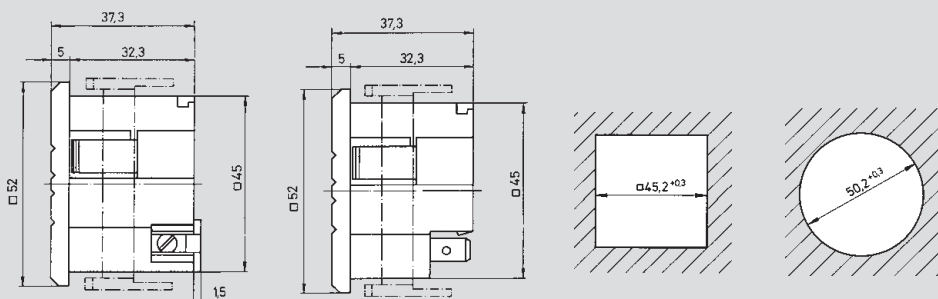
type 632.2, 632.3, 634.2, 634.3, 630.2, 630.3, 638.2, 638.3

Hour counters, for AC or DC, 48 x 48 mm, 52 x 52 mm

The world-wide known BAUSER hour counters can be fast and easily mounted. As the counters are available in all current front dimensions, you do not require additional bezels.

Front frame 52 x 52 mm, cutout $\varnothing 50,2^{+0,3}$ mm or $\square 45,2^{+0,3}$ mm

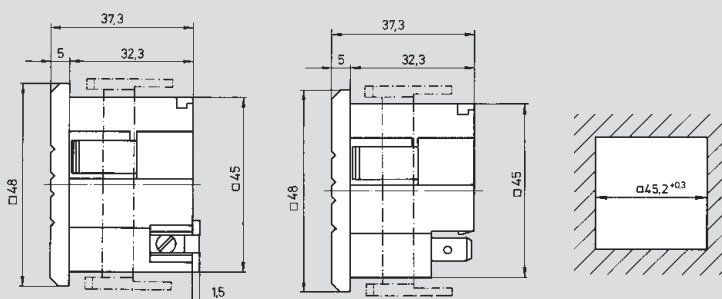
AC	DC	grey	black	terminal connection	plug connection	protection against accidental contact with	protection against accidental contact without
631	629	■		■		■	
632	630		■	■		■	
633	637	■		■			■
634	638		■	■			■
631.1	629.1	■			■	■	
632.1	630.1		■		■	■	
633.1	637.1	■			■		■
634.1	638.1		■		■		■



with or without protection against accidental contact

Front frame 48 x 48 mm, cutout $\square 45,2^{+0,3}$ mm

AC	DC	grey	black	terminal connection	plug connection	protection against accidental contact with	protection against accidental contact without
631.2	629.2	■		■		■	
632.2	630.2		■	■		■	
633.2	637.2	■		■			■
634.2	638.2		■	■			■
631.3	629.3	■			■	■	
632.3	630.3		■		■	■	
633.3	637.3	■			■		■
634.3	638.3		■		■		■



with or without protection against accidental contact

Electromechanical hour counters



type 631.4, 631.5, 633.4, 633.5, 629.4, 629.5, 637.4, 637.5



type 632.4, 632.5, 634.4, 634.5, 630.4, 630.5, 638.4, 638.5



type 631 A.2, 629 A.2



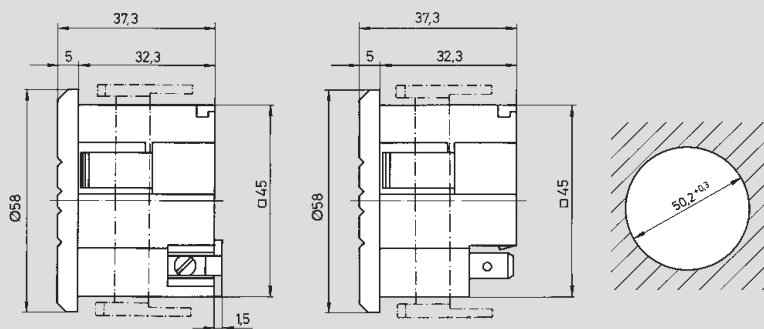
type 632 A.2, 630 A.2
with additional terminal cover type A

Hour counters, for AC or DC, 48 x 48 mm for surface or DIN-rail mounting, front \varnothing 58 mm

You can obtain the BAUSER counters in the housing colours grey (RAL no. 7032) and black, on request even in light-grey (RAL no. 7035) and with your logo on it (minimum quantity required). Approved to CE, UL/CSA.

Front frame \varnothing 58 mm, cutout \varnothing 50,2 + 0,3 mm

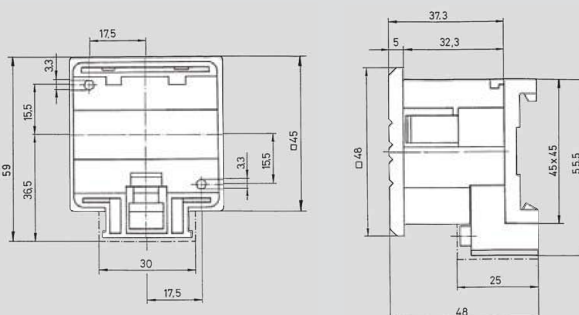
AC	DC	grey	black	terminal connection	plug connection	protection against accidental contact with	protection against accidental contact without
631.4	629.4	■		■		■	
632.4	630.4		■	■		■	
633.4	637.4	■		■			■
634.4	638.4		■	■			■
631.5	629.5	■			■	■	
632.5	630.5		■		■	■	
633.5	637.5	■			■		■
634.5	638.5		■		■		■



with or without protection against accidental contact

Front frame 48 x 48 mm, surface or DIN rail 35 mm (DIN 46277)

AC	DC	grey	black	terminal connection	plug connection	protection against accidental contact with	protection against accidental contact without
631 A.2	629 A.2	■		■		■	
632 A.2	630 A.2		■	■		■	



with or without protection against accidental contact

■ Electromechanical hour counters



counter 48 x 48 mm,
with bezel 55 x 55 mm



counter 48 x 48 mm,
with bezel 72 x 72 mm

Accessories

Beside the standard program BAUSER offers you a range of individual special developments. Inform us about your requirements and ideas – we find a solution for you.

variants for 20 to 100 Hz operation:

order code, i.e. 631/943

bezel 55 x 55 mm:

grey or black, fitting to the counter with front frame 48 x 48 mm

bezel 72 x 72 mm:

grey or black, fitting to the counter with front frame 48 x 48 mm

blind cover 53 x 53 mm:

suited for types with square cutout

terminal cover type A:

fitting for type 631A.2, 632A.2, 629A.2, 630A.2

A later combination to get a DIN-rail counter is possible with types 633... or 634... or 637... or 638... and a mounting socket

additional sealing:

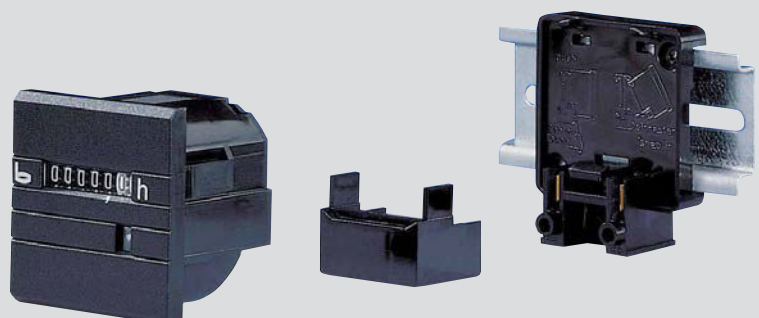
rubber seal for all versions with square or round cutout – please indicate type in your order

metal clamp:

available for all types, but the mounting depth changes: .. + 16 mm, order code, i.e.: 631.4/879

hour counters for magneto ignition:

on request, order code. i.e. 630.5/954



type 632A.2, 630A.2 with additional terminal cover type A



* This retaining clip is included in the delivery at types for flush mounting (panel thickness up to 10 mm)

Accessories

Technical specifications:

	AC	DC
reset:	no	no
counting range:	99999,99 h	99999,99 h
digits:	1,5 x 3,5 mm (with lens 4 mm), white on black, decimals black on white	1,5 x 3,5 mm (with lens 4 mm), white on black, decimals black on white
standard voltages:	115 or 230 V AC	10 - 80 V DC (1,5 - 15 mA)
special voltages: (at additional cost)	12, 24, 36 - 48 and 400 V AC	2 - 20 V DC (0,5 - 27 mA) 80 - 220 V DC (1,5 - 4,5 mA)
voltage tolerance:	±10 %	-
frequency:	50 or 60 Hz (on request 50 and 60 Hz)	-
current consumption:	approx. 10 mA at rated voltage	see above
protection class:	DIN 40050, housing IP 65 (front) terminals: IP 20 (Variant VBG 4) IP 00 (without VBG 4)	DIN 40050, housing IP 65 (front) terminals: IP 20 (Variant VBG 4) IP 00 (without VBG 4)
testing voltage:	winding and contact against GND 2500 V/50 Hz	-
ambient temperature:	-30 °C to +80 °C	-30 °C to +80 °C
fixing:	via included retaining clip*, panel thickness up to 10 mm, or via integrated snap-in lugs, panel thickness up to 2 mm, whereas the cutout should be 45,2 + 0,3 x 45,2 + 0,3 mm	via included retaining clip*, panel thickness up to 10 mm, or via integrated snap-in lugs, panel thickness up to 2 mm, whereas the cutout should be 45,2 + 0,3 x 45,2 + 0,3 mm
connection:	terminals or plugs, with or without protection against accidental contact	terminals or plugs, short circuit and reverse battery protected
approval:	CE, optional UL and CSA	CE
operation indication:	yes	yes
weight:	approx. 46 g	approx. 46 g

Our developing and production know-how is excellent. This was certified according ISO9001. That is why we can guarantee to our world-wide OEM customers high quality products in the shortest time.