



counter 48 x 48 mm,  
with bezel 55 x 55 mm



counter 48 x 48 mm,  
with bezel 72 x 72 mm

### Accessories

Beside the standard program BAUSER offers you a range of individual special developments. Inform us about your requirements and ideas – we find a solution for you.

#### variants for 20 to 100 Hz operation:

order code, i.e. 631/943

#### bezel 55 x 55 mm:

grey or black, fitting to the counter with front frame 48 x 48 mm

#### bezel 72 x 72 mm:

grey or black, fitting to the counter with front frame 48 x 48 mm

#### blind cover 53 x 53 mm:

suited for types with square cutout

#### terminal cover type A:

fitting for type 631A.2, 632A.2, 629A.2, 630A.2

A later combination to get a DIN-rail counter is possible with types 633... or 634...or 637...or 638... and a mounting socket

#### additional sealing:

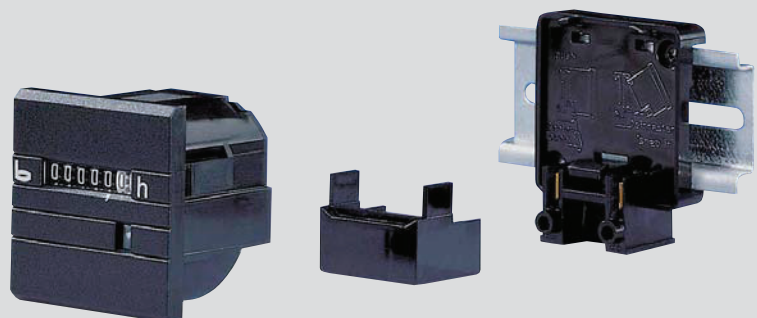
rubber seal for all versions with square or round cutout – please indicate type in your order

#### metal clamp:

available for all types, but the mounting depth changes: .. + 16 mm, order code, i.e.: 631.4/879

#### hour counters for magneto ignition:

on request, order code. i.e. 630.5/954



type 632A.2, 630A.2 with additional terminal cover type A