



CAN | CANopen | SAE J1939 Digital and analogue sensors

807

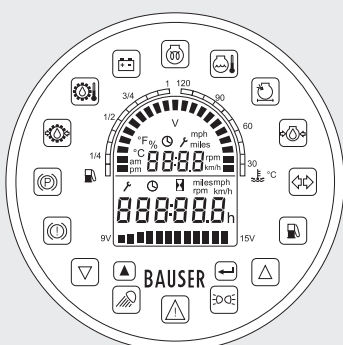
BAUSER instrument clusters Type 807 – comfortable, flexible, Economic

Ample semicircular arch and rectangular LC-Display with maximum 16 LEDs as well as optionally 2 buttons in a casing of 100 mm standard cutout. To fix with a metal clamp or alternatively with Snap-in clamps.

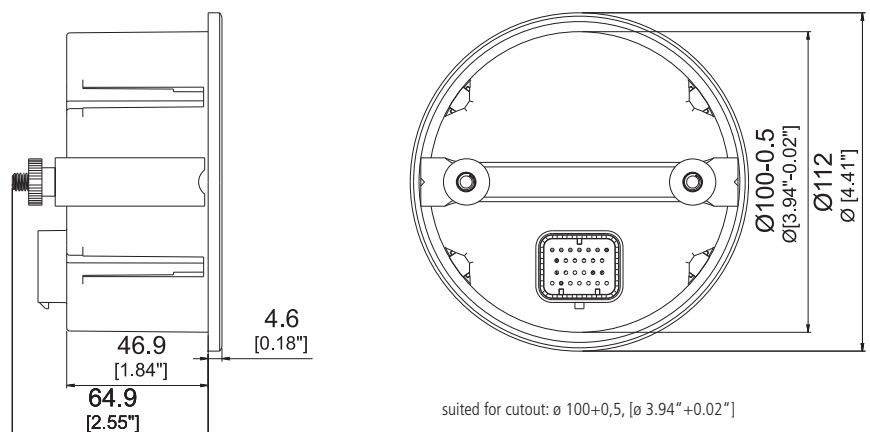
The 21 segments which can be divided into 2 separate bar graph indications as well as the 6 digit 7-segment indication for further values supply a variety of visualisation possibilities.

Example application: it is possible to indicate the fuel level and temperature separately and quite below on the display you can find the operating hours, service values or above the additional bar graph indication the battery voltage.

| | |
|-------------------------------|---|
| Casing: | Material: plastic PC-ABS, colour black Front side: chemical and UV resistant polyester foil Viewing area: polycarbonate glass |
| LCD: | 2 x 10 bar graph segments for temperature and fuel level 1 x 12 bar graph segments for voltage 6 x 7 segment indication for the following functions: 1. Service hours (maximum 9999 h), 2. Operating hours (maximum 99999,9 h), 3. Speed (km/h) / (mph), 4. Distance (km) / (miles) 5. Revolutions per minute (rpm), 6. Temperature (° C) / (° F), 7. Error codes 4 x 7 segment indication for the clock Backlit: standard: green-yellow |
| LED indication: | Maximum 16 LEDs, configurable assignment |
| Inputs: | Maximum 16 x digital inputs – selectable polarity, 2 x Count input, 3 x Resistance |
| Supply voltage: | 8...36 VDC |
| Current consumption: | Maximum 350 mA @ 12 VDC |
| Ambient temperature: | -40° C...+85° C |
| Storage: | -40° C...+85° C |
| Electrical connection: | Tyco super seal, 26 poles |
| Fixing: | Metal clamps with 2 screws |
| Protection class: | IP67 front, IP40 on the rear (optional IP65) |
| Vibration resistance: | EN 60068-2-64, SAE J1378 |
| Shock resistance: | EN 60068-2-27, EN 60068-2-29, SAE J1378 |
| EMC: | EN 12895, EN 40839-1, DIN 13309 |
| Approval: | CE |
| Options: | Custom front foil Custom LCD indication LCD backlit blue or white Viewing area: anti-scratch treated Gore™ Membran – IP65 on the rear Connection: Molex Minifit Jr., AMP-Tyco Mini-Universal-Mate-N-Lok Real time clock Buttons to set the time and to scroll the menu Buzzer FET output 1,5 A positive switching Relay output 3,0 A CAN, CANopen or SAE J1939 protocol Fixing with 4 Snap-in clamps, casing depth: 56,5mm UL, cUL approval Battery – Indication of residual capacity |



general view



suited for cutout: $\varnothing 100 \pm 0,5$, [$\varnothing 3.94 \pm 0.02$ "]