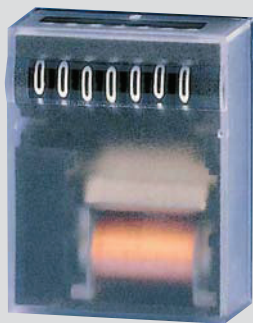
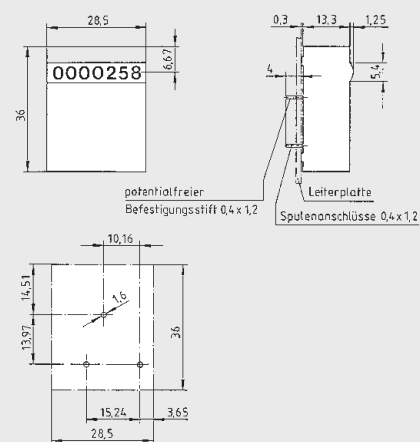


Electromechanical pulse counters



type 128



type 128

Mini pulse counters for printed circuit or front panel mounting, 5 - 24 V DC, 36 x 28,5 mm, 32 x 15 mm

Special features:

- mini pulse counter in solder and water-proof version
- highly shock and vibration resistant
- well suited for battery operation
- low current consumption and electronic circuit

type	printed circuit counter washable	front panel mounting (snap-in fixing max. 3 mm)
128	■	
129		■

Options:

- type 128 – indication visible on face (on request)
- type 129 – for large quantities also available in 12, 24, 110 or 230VAC (on request)
- 6 digit variant with smaller housing dimensions (on request for large quantities)

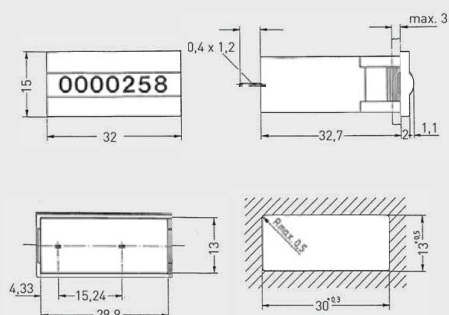
Technical specifications:

DC

reset:	no
counting range:	7 digits
character height:	4 mm (with lens)
operating voltages:	5, 12, 24 V DC
voltage tolerance:	±10 %
duty cycle:	100 %
counting frequency:	10 pulses/s (25 l/s = 24 V DC)
mean power consumption:	70 mW at 5 - 12 V DC, 250 mW at 24 V DC
protection class (DIN 40050):	type 128: IP 65, type 129: IP 65 (front)
ambient temperature:	-10 °C to +60 °C (option: to +85 °C)
electr. connections:	soldered conn. 0,4 x 1,2 mm
maintenance-free operation:	> 50 x 10 ⁶ pulses
approval:	CE
weight:	15 - 18 g



type 129



type 129