

type 830, 830.1



type 855, 855.1

Battery and time controllers, LED single or multi bar indication, ø 52 mm

The BAUSER all round controller monitors the remaining capacity of your traction batteries and registers totalising and service hours. The heart of the controller is the BAUSER microprocessor technology and the environmentally friendly data storage by EEPROM. The remaining capacity is clearly visible by a LED display. The single LEDs are active from the right to the left. If the capacity falls under the limit value "prewarning" at type 830 and 830.1 the penultimate red LED will flash. At type 855 and 855.1 the last yellow LED will flash. When reaching the discharge voltage at type 830 and 830.1 the two last red LEDs flashes alternately. At 855 and 855.1 the red LED lights up. Simultaneously a voltage free relay contact would open (i.e. lift lockout). The batteries are therefore safely protected against exhaustive discharge!

Features of the new BAUSER controllers:

- the types 830 and 830.1 have 10 LED (5 green, 3 yellow and 2 red) as single indication. A partial recharge is displayed.
- the types 855 and 855.1 have 8 LED as multi bar indication. A partial recharge would be registered, but not displayed.
- optionally: service hour counter.
- setting of different battery types by battery discharge voltage, which can be selected through the potentiometer on the rear of the unit.
- after cutoff the relay locking for restart would be activated. In order to terminate a started operation (i.e. lifting process), the locking for restart can be abolished one single time for about 30 seconds by switching off and on again.
- microprocessor technology offers an exact indication and protection against an exhaustive discharge.
- relay breaking capacity: 5 A / 24 V DC.
- customised units available on request.

type	operating voltage*	10 LED's	8 LED's	totalising hour counter		relay contact
		(green, yellow, red) single indication with partial recharge	(yellow, red) multi bar display without partial recharge	"without" service counter	"with" service counter	
830	12, 24, 36 or 48 V DC	■		■		■
830.1	12, 24, 36 or 48 V DC	■			■	■
855	12, 24, 36 or 48 V DC		■	■		■
855.1	12, 24, 36 or 48 V DC		■		■	■

*24 V DC = standard, 12, 36 and 48 V DC = special voltages

option: with chromed front bezel, order code: .../C, without relay output, with polycarbonate glass

accessory: adapter for cutout Ø 60mm, order code: .../60 at additional cost

The different battery types are adjustable by the discharge voltage. A potentiometer enables this simple setting. The standard adjustment of the discharge voltage is 1,73 V/cell. If you require other discharge voltage values, please indicate them when ordering.

Discharge voltages in V/cell

(adjustable via potentiometer on the rear of the unit):

A	B	C	D	E	F	G	H	I	J	K
1,57	1,63	1,68	1,73	1,78	1,82	1,84	1,86	1,89	1,91	1,93

Technical specifications

There are 2 methods to reset the controller:

- battery is separated from the vehicle: reset voltage is 2,09 V/cell.
- battery remains in the vehicle while charging: reset voltage is 2,35 V/cell.

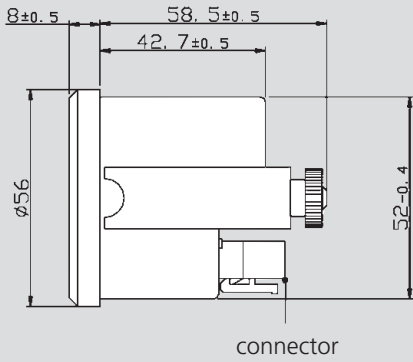
The operating hours (totalising hour counter) are permanently indicated by a LC display.

Select between a positive and negative counting input. Types 830.1 and 855.1 offers additionally a factory set service-hour counter (standard value 500h or value according to your priorities). The service counter indicates the remaining time before service has to be done for about 5 sec. every time you switch-on. The display flashes after termination of the service time and a reset has to be effected via the R button on the rear of the controller.

Technical specifications:

housing:	black plastic with bevelled black chrome-plated bezel, accessory on request: adapter Ø 60 mm
operating voltage:	12, 24, 36, 48 V DC / $\pm 25\%$
max. current consumpt.:	50, 35, 35, 25 mA
display:	LED-indication: 10 LEDs (5 green, 3 yellow, 2 red) or 8 LEDs multi bar display (7 yellow, 1 red), LC-Display: 6 digits, height 4,5 mm
partial recharge:	type 830 or 830.1
counting range:	hour counter: 0 to 99999,9 h service time: 0000 to 9999 h (fix value 500 h, factory set)
operation indication:	clock symbol on the display
time divergence:	max. 0,02 % in 24 h
counter input:	a positive and a negative hour counter input
prewarning:	type 830, 830.1: penultimate red LED flashes type 855, 855.1: last yellow LED flashes
ambient temp.:	-30 °C to +70 °C
stocking temp.:	-40 °C to +80 °C
electr. connection:	8 pole molex connector with locking
reset/servicecounter:	no reset or manual (button on the rear of the unit)
protection:	IP 65 (front), on request with rubber seal
EMC:	EN 55011, EN 61000-6-2
relay contact:	make contact, opens when reaching discharge voltage, voltage-free breaking capacity 12, 24 V DC/5A, 36 V DC/3A, 48 V DC/2A
signal inputs:	minimum pulse duration 0,5 sec.
vibration resistance:	20 g according to SAEJ1378, 1 g (10...500 Hz) acc. to EN 60068-2-34
shock resistance:	55 g according to SAEJ1378, 30 g (18 ms) acc. to EN 60068-2-27, 25 g (6 ms) acc. to EN 60068-2-29
approval:	CE, UL, cUL
data storage:	EEPROM (25 years)
fixing:	metal clamping bracket with two nuts
weight:	approx. 100 g

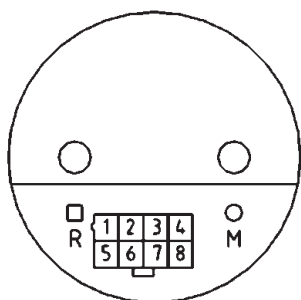
drawing



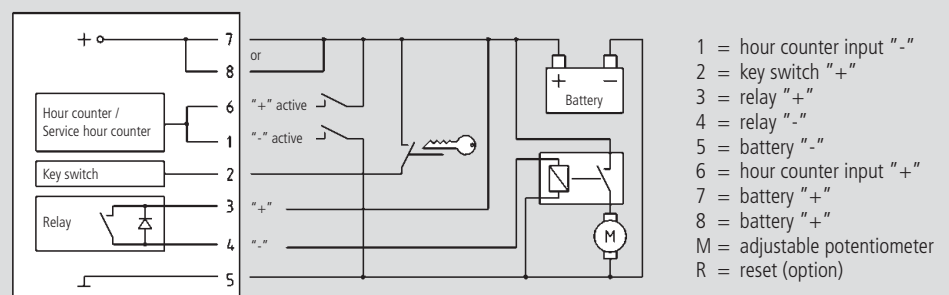
Order specifications:

Type, voltage, other discharge voltages or service times as the standard unit provides

If you need further assistance, please feel free to contact our service hotline
phone no: +49 (0) 74 85 / 181 - 0



wiring diagram



wiring diagram