

## Pulse counters, for AC or DC, with or without reset, 36 x 24 mm

### Description:

- adding counter, black plastic housing, fixing via a spring wire bracket



type 170

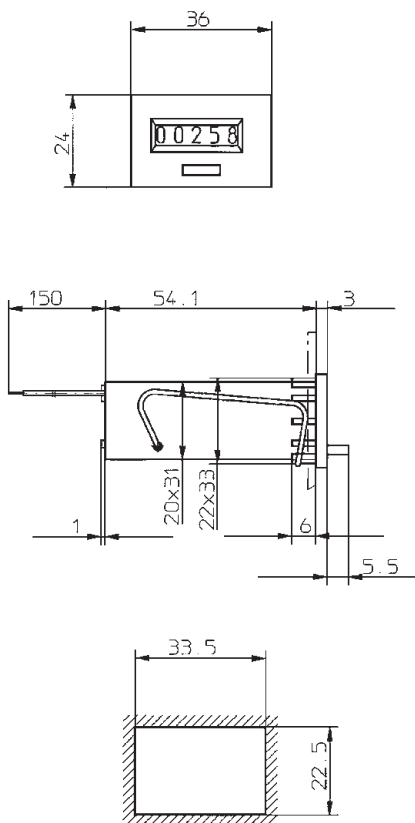


type 171

type	without reset	with reset	display
170	■		6 digit
171		■	5 digit

### Technical specifications:

	AC	DC
voltages:	230 V AC	24 V DC
digits:	1,7 x 4 mm, white on black	1,7 x 4 mm, white on black
voltage tolerance:	±10 %	±10 %
frequency/ residual ripple:	50/60 Hz	≥ 48 %
testing speed:	10 pulses/sec.	10 pulses/sec.
pulse-/break duration:	50/50 msec.	50/50 msec.
power consumption:	1,5 VA	0,5 W
duration of operation at 25 °C:	100 %	100 %
ambient temperature:	-10 °C to +50 °C	-10 °C to +50 °C
maintenance-free oper.:	> 50 x 10 <sup>6</sup> pulses	> 50 x 10 <sup>6</sup> pulses
approval:	CE	CE
protection class :	type 170: IP 51 (front) type 171: IP 50 (front)	type 170: IP 51 (front) type 171: IP 50 (front)
electrical connection:	flex approx. 150 mm long	flex approx. 150 mm long
weight:	approx. 50 g	approx. 50 g



drawing type 170, 171

## Electromechanical pulse counters



type 180



type 181

### Pulse counters, for AC or DC, with or without reset, 53 x 28 mm

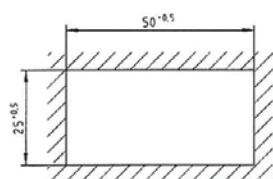
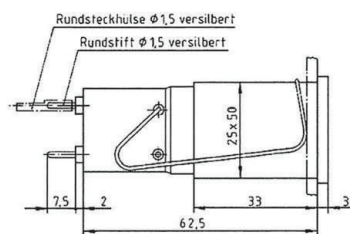
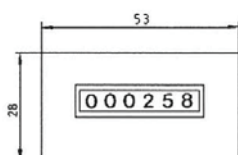
#### Description:

- adding counter, black plastic housing, fixing via a spring wire bracket

type	without reset	with reset	display
180	■		6 digit
181		■	6 digit

#### Technical specifications:

	AC	DC
<b>voltages:</b>	230 V AC	24 V DC
<b>digits:</b>	2 x 4,5 mm, white on black	2 x 4,5 mm, white on black
<b>voltage tolerance:</b>	±10 %	±10 %
<b>frequency/ residual ripple:</b>	50/60 Hz	≥ 48 %
<b>testing speed:</b>	18 pulses/sec.	25 pulses/sec.
<b>pulse-/break duration:</b>	2 : 3	3 : 2
<b>minim. pulse duration:</b>	22,2 ms	24 ms
<b>power consumption:</b>	2,9 VA	2 W
<b>duration of operation at 25 °C:</b>	100 %	100 %
<b>ambient temperature:</b>	-10 °C to +55 °C	-10 °C to +60 °C
<b>maintenance-free oper.:</b>	> 50 x 10 <sup>6</sup> pulses	> 50 x 10 <sup>6</sup> pulses
<b>approval:</b>	CE	CE
<b>protection class :</b>	type 180: IP 52 (front) type 181: IP 50 (front)	type 180: IP 52 (front) type 181: IP 50 (front)
<b>electrical connection:</b>	silver-bladed round pins ø 1,6 mm with plug bushes	silver-bladed round pins ø 1,6 mm with plug bushes
<b>weight:</b>	approx. 100 g	approx. 100 g



drawing type 180, 181